



DCL

DC Link Capacitors

Standard design
Other designs on request

Standardausführungen
Andere Ausführungen auf Anfrage



1. General Information	
i. General Characteristics	3
2. DC Link Capacitors	
i. Technical Drawing	4
ii. Product Table HYDRA EGB DCL/EBB DCL	5-6

EGB DCL/EBB DCL

Applications

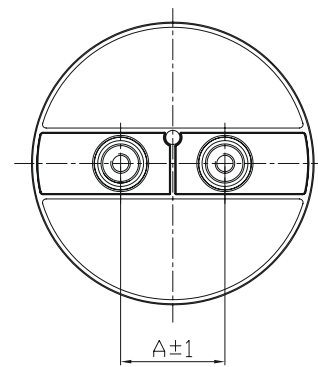
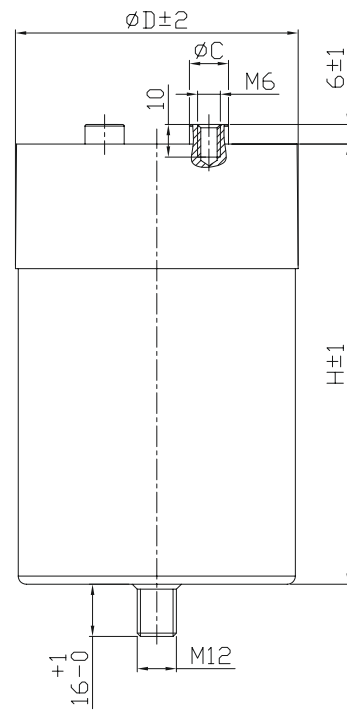
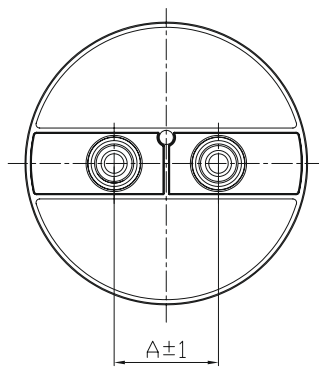
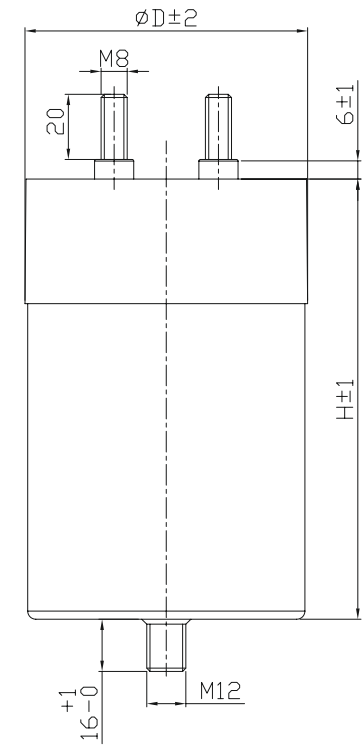
- DC-link and DC-filter in industrial inverters (wind turbines, solar power, power drives)
- Replacement of aluminium electrolytic capacitors
- AC filter in UPS application

Features

- High RMS current rating (ripple)
- Low ESR (equivalent series resistance) allows high currents
- Low self-inductance for high-speed IGBT converters (special low inductance design)
- Dry resin filling (no leakage of poisonous electrolytes)
- Self healing dielectric withstand overvoltages 2 times rated voltage
- No series connections of capacitors necessary
- High reliability and life expectancy

General Characteristics	
Dielectric	Metallized polypropylene
Dissipation factor ($\tan \delta_o$)	$<2 \times 10^{-4}$ (1kHz)
Capacitance tolerance	$\pm 10\%$
Operating temperature (case)	-25°C to 60°C (70°C max.)
Storage temperature	-40°C to 85°C
Humidity class	F (75% annual means, 95%, 30 days/a)
Inductance	$< 50\text{nH}$
Test voltage terminal/terminal (VDC)	$1,5 \times U_{\text{ndc}}$ (10s)
Test voltage terminal/case (VAC)	$2 \times U_i + 1000\text{V}$; min. 3600VAC (10s)
Life expectancy	100.000h at U_n and $<70^\circ\text{C}$ hotspot
Case material	Aluminium
Cover material	Plastic UL 94 (V-0)
Filling	Polyurethane/epoxy resin
Mounting	Indoor in any position
Mounting stud torque	15 Nm for M12
Connection torque	M6 internal thread: 8 Nm max M8 bolt: 5 Nm max
Standard	IEC 61071; UL file E201956

EGB DCL/EBB DCL



D	85	116
C	12	14

EBB DCL

EGB DCL

Product Table HYDRA EGB DCL/EBB DCL

Capacitance Cn (µF)	Diameter Ø D (mm)	Height H (mm)	A (mm)	Max. RMS current Imax (A)	Repet. Peak current Ip (A)	Surge current Is (A)	Series resistance Rs (mΩ)	Weight (kg)
Un = 700VDC, Us = 1050VDC								
280	85	70	32	25	2856	8568	2,5	0,6
480	85	100	32	40	2911	8733	2,3	0,7
580	85	115	32	50	2925	8775	2	0,9
700	85	135	32	60	2883	8649	2,4	1
900	85	185	32	60	5460	16380	1,8	1,3
1100	85	215	32	60	5548	16644	1,4	1,6
1300	85	255	32	60	5354	16062	1,3	1,7
1400	116	135	50	80	5820	17460	1,3	1,8
2000	116	185	50	80	11520	34560	0,8	2,4
2300	116	215	50	100	11600	34800	0,8	2,8
2800	116	255	50	100	11640	34920	0,9	3,3
Un = 900VDC, Us = 1350VDC								
220	85	70	32	25	2565	7695	1,5	0,6
350	85	100	32	40	2427	7281	2,9	0,7
460	85	115	32	50	2652	7956	1,8	0,9
550	85	135	32	60	2589	7767	2,6	1
650	85	185	32	60	4506	13518	2,3	1,3
920	85	215	32	60	5303	15909	1,2	1,6
1080	85	255	32	60	5083	15249	1,5	1,7
1250	116	135	50	80	5900	17700	1,2	1,8
1650	116	185	50	80	11440	34320	1	2,4
2000	116	215	50	100	11530	34590	1	2,8
2500	116	255	50	100	11800	35400	0,9	3,3
Un = 1100VDC; Us = 1650VDC								
140	85	70	32	20	1959	5877	2	0,6
240	85	100	32	30	1997	5991	2,8	0,7
310	85	115	32	40	2145	6435	2,6	0,9
420	85	135	32	50	2300	6900	2,4	1
480	85	185	32	60	3993	11979	1,5	1,3
610	85	215	32	60	4220	12660	1,5	1,6
720	85	255	32	60	4067	12201	1,8	1,7
750	116	135	50	80	4275	12825	1,5	1,8
1000	116	185	50	80	8320	24960	1,1	2,4
1200	116	215	50	100	8300	24900	1	2,8
1500	116	255	50	100	8550	25650	1	3,3

Note: Other voltages and capacitance values are available on request.

Product Table HYDRA EGB DCL/EBB DCL

Capacitance Cn (µF)	Diameter Ø D (mm)	Height H (mm)	A (mm)	Max. RMS current Imax (A)	Repet. Peak current Ip (A)	Surge current Is (A)	Series resistance Rs (mΩ)	Weight (kg)
Un = 1300VDC; Us = 1950VDC								
120	85	70	32	15	1924	5772	2	0,6
180	85	100	32	25	1716	5148	3	0,7
220	85	115	32	35	1744	5232	3	0,9
260	85	135	32	40	1683	5049	3	1
340	85	185	32	55	3241	9723	1,8	1,3
480	85	215	32	60	3805	11415	1,9	1,6
600	85	255	32	60	3883	11649	2	1,7
600	116	135	50	80	3920	11760	1,7	1,8
750	116	185	50	80	6670	20010	1	2,4
950	116	215	50	80	7530	22590	0,9	2,8
1150	116	255	50	80	6670	20010	1,1	3,3
Un = 1500VDC; Us = 2250VDC								
140	85	115	32	25	1312	3935	4	0,9
200	85	135	32	35	1530	4589	4,1	1
280	85	185	32	45	3154	9462	2,5	1,3
320	85	215	32	60	2997	8991	2	1,6
350	85	255	32	60	2677	8031	2,5	1,7
425	116	135	50	80	3280	9840	2	1,8
560	116	185	50	80	6310	18930	1,8	2,4
700	116	215	50	80	6556	19668	1,3	2,8
850	116	255	50	80	6560	19680	1,2	3,3

Note: Other voltages and capacitance values are available on request.

HYDRA a.s.
Průmyslová 1110
CZ-50601 Jičín

Sales office:
Hydra Components GmbH
Eichborndamm 167-175
13403 Berlin, Germany
Tel.: + 49 - 30 / 40 80 41 84
Fax: + 49 - 30 / 40 80 41 90
E-Mail: sales@hydra-components.de